

The SuperFlow™ Series



Features

Built-in pressure gauge
(Models SF100-SF10,000)

Interchangeable membrane
with unique tiered design

Available in 10, 16 and 25 bar

Sizes from 8 to 10,000 liters

CE approved

The SuperFlow™ Series

Global Water Solution's new Turkey facility offers the SuperFlow™ Series, a range of interchangeable diaphragm pressure vessels making GWS one of the most comprehensive suppliers globally.

SuperFlow™ vessels are available in 10, 16 and 25 bar pressure ratings and in sizes from 8 to 10,000 liters.

As with all GWS products, SuperFlow™ vessels are manufactured to strict quality standards.

SuperFlow™ offers an interchangeable membrane which features a unique tiered design that is more durable. All SuperFlow™ Models 100 liters and above are designed with a built-in pressure gauge, a convenience feature at no extra cost.

SuperFlow™ vessels represent the best value for the investment with rugged construction and are designed to serve your needs for years to come.

SuperFlow™ Series Models

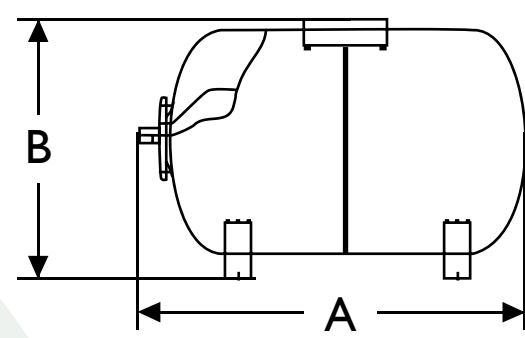
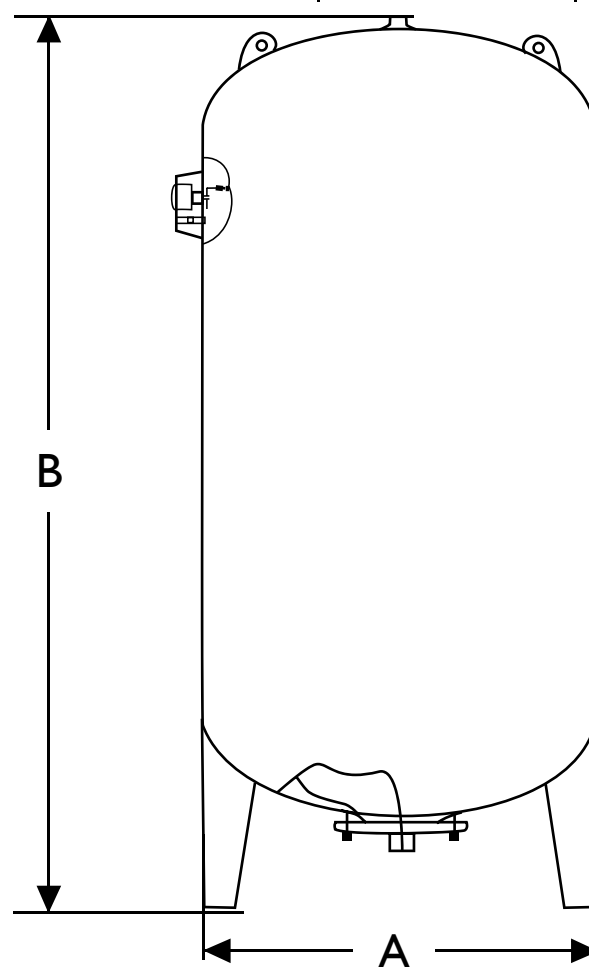
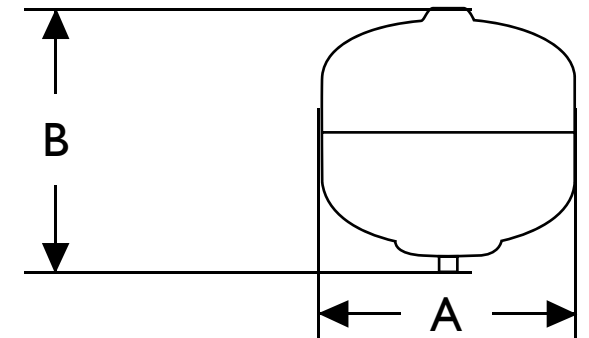
Model Numbers			A		B		PreCharge	Connection	Volume	
			Diameter		Height					
Inline 10 Bar	Inline 16 Bar	Inline 25 Bar	cm	inches	cm	inches	bar	inches	liters	gallons
SF810V	SF816V	SF825V	22	8.7	30.5	12	1.5	1"	8	2
SF1210V	SF1216V	SF1225V	26	10.2	31	12.2	1.5	1"	12	3
SF1910V	SF1916V	SF1925V	26	10.2	34.5	13.6	1.5	1"	19	5
SF2410V	SF2416V	SF2425V	26	10.2	44.5	17.5	1.5	1"	24	6
SF3510V	SF3516V	SF3525V	38	15	47.5	18.7	1.5	1"	35	9
Vertical 10 Bar	Vertical 16 Bar	Vertical 25 Bar	cm	inches	cm	inches	bar	inches/DN	liters	gallons
SF5010V	SF5016V	SF5025V	38	15	72	28.3	1.5	1"	50	13
SF6010V	SF6016V	SF6025V	38	15	78	30.7	1.5	1"	60	16
SF8010V	SF8016V	SF8025V	43	16.9	84	33.1	3	1"	80	21
SF10010V	SF10016V	SF10025V	46	18.1	93.5	36.8	3	1"	100	26
SF15010V	SF15016V	SF15025V	50	19.7	100	39.4	4	1"	150	40
SF20010V	SF20016V	SF20025V	59	23.2	109	42.9	4	1 1/4"	200	53
SF30010V	SF30016V	SF30025V	64	25.2	121	47.6	4	1 1/4"	300	79
SF50010V	SF50016V	SF50025V	75	29.5	152	59.8	4	1 1/4"	500	132
SF75010V	SF75016V	SF75025V	80	31.5	177	69.7	4	2"	750	198
SF85010V	SF85016V	SF85025V	80	31.5	192	75.6	4	2"	850	224
SF100010V	SF100016V	SF100025V	80	31.5	223	87.8	4	2"	1,000	264
SF150010V	SF150016V	SF150025V	96	37.8	240	94.5	4	2"	1,500	396
SF200010V	SF200016V	SF200025V	110	43.3	250	98.4	4	2"	2,000	528
SF300010V	SF300016V	SF300025V	125	49.2	250	98.4	4	DN 65	3,000	792
SF400010V	SF400016V	SF400025V	145	57.1	275	108.3	4	DN 80	4,000	1056
SF500010V	SF500016V	SF500025V	155	61	305	120.1	4	DN 80	5,000	1320
SF1000010V	SF1000016V	SF1000025V	160	63	600	236.2	4	DN 110	10,000	2640
Horizontal 10 Bar	Horizontal 16 Bar	Horizontal 25 Bar	cm	inches	cm	inches	bar	inches	liters	gallons
SF2410H	SF2416H	SF2425H	44.5	17.5	33	13	1.5	1"	24	6
SF5010H	SF5016H	SF5025H	56	22	45	17.7	1.5	1"	50	13
SF6010H	SF6016H	SF6025H	62	24.4	45	17.7	1.5	1"	60	16
SF8010H	SF8016H	SF8025H	66	26	54	21.3	1.5	1"	80	21
SF10010H	SF10016H	SF10025H	72	28.3	54	21.3	1.5	1"	100	26
Oval 10 Bar	Oval 16 Bar	Oval 25 Bar	cm	inches	cm	inches	bar	inches	liters	gallons
SF2410O	SF2416O	SF2425O	35	13.8	36.5	14.4	1.5	1"	24	6

Maximum working temperature SF8V - SF1,500V 100°C / 210°F SF2,000V - SF10,000V 70°C / 160°F

All models are available in 10 bar, 16 bar and 25 bar Membrane SF8V - SF1,500V EPDM SF2,000V - SF10,000V BUTYL

Specifications

Ship Weight					
10 Bar		16 Bar		25 Bar	
kilos	lbs	kilos	lbs	kilos	lbs
4	8.8	6	13.2	8	17.6
4.5	9.9	7	15.4	10	22
5	11	7.5	16.5	11	24.3
5	11	7.5	16.5	11	24.3
9	19.8	13	28.7	17	37.5
kilos	lbs	kilos	lbs	kilos	lbs
13	28.7	19	41.9	24	52.9
14.5	32	21	46.3	25	55.1
20	44.1	26	57.3	32	70.5
24	52.9	28	61.7	34	75
32	70.5	50	110	70	154
45	99.2	65	143	81	179
55	121	70	154	99	218
97	214	140	309	175	387
150	331	220	485	270	595
165	364	245	540	295	649
200	441	280	617	330	728
251	553	402	886	480	1058
371	818	594	1310	680	1499
550	1213	820	1808	990	2183
655	1444	980	2161	1200	2646
830	1830	1200	2646	1500	3307
1920	4233	2500	5512	3000	6614
kilos	lbs	kilos	lbs	kilos	lbs
5.5	12.1	8	17.9	12	26.5
13	28.7	19	41.9	24	52.9
14.5	32	21	46.3	25	55.1
20	44.1	26	57.3	32	70.5
24	52.9	28	61.7	34	75
kilos	lbs	kilos	lbs	kilos	lbs
5	11	7.5	16.5	11	24.3



Interchangeable Membranes

Model	Corresponding Tank Range by Liter	Corresponding Tank Range by Gallon	Op. Pressure (bar)	Height in (cm)	Min - Max. Working Temp. (C°)	Connection in (mm)	Specification
MB8-12LT	8 - 12	2 - 3	10-25	19	-20 / +100	85	EPDM
MB19-24LT	19 - 24	5 - 6	10-25	22	-20 / +100	85	EPDM
MB35-60LT	35 - 60	9 - 16	10-25	32	-20 / +100	85	EPDM
MB80-150LT	80 - 150	21 - 40	10-25	70	-20 / +100	85	EPDM
MB200-300LT	200 - 300	53 - 79	10-25	90	-20 / +100	150	EPDM
MB500-750LT	500 - 750	132 - 198	10-25	130	-20 / +100	150	EPDM
MB850LT	850	224	10-25	TBA	-20 / +100	150	EPDM
MB1000-1500LT	1000 - 1500	264 - 396	10-25	165	-20 / +100	205	EPDM
MB2000LT	2000	528	10-25	210	-10 / +70	150	BUTYL
MB3000LT	3000	792	10-25	235	-10 / +70	200	BUTYL
MB4000LT	4000	1056	10-25	TBA	-10 / +70	250	BUTYL
MB5000LT	5000	1320	10-25	328.5	-10 / +70	250	BUTYL
MB10000LT	10000	2640	10-25	550	-10 / +70	320	BUTYL



EUROPE, MIDDLE EAST, AFRICA
 9a Parc d'Activité Syrdall
 L-5365 Munsbach
 Luxembourg
 Tel: +352 263 507 73 15
 EFax: +1 781 658 2511

ASIA
 241 Sec. I Shen Lin Road
 Daya, Taichung County
 Taiwan, 428
 Tel: +886 4 2560 5017
 EFax: +1 781 658 2511

AMERICAS
 P.O. Box #782
 300 Pond Street
 Randolph, MA 02368 U.S.A.
 Tel: +1 781 607 2607
 EFax: +1 781 658 2511

REGISTERED OFFICE
 P.O. Box #415
 Templar House - Don Road
 St. Helier - JE4 8WH
 Jersey
 The Channel Islands